

SOT-23 SCHOTTKY BARRIER DIODE

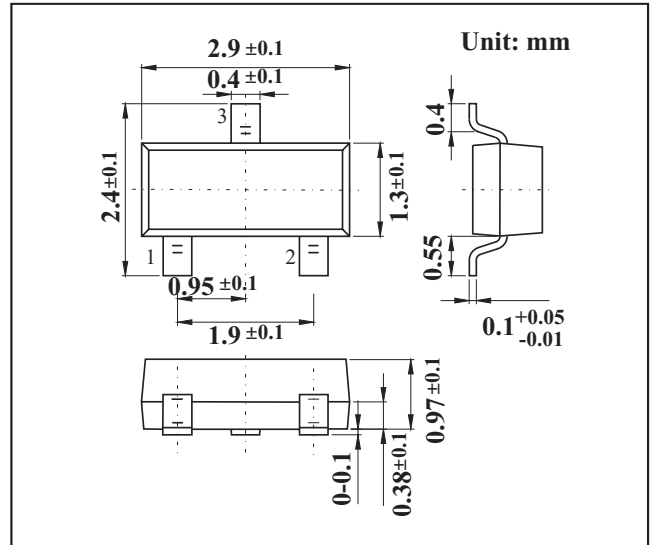
VOLTAGE RANGE: 40V PEAK PULSE POWER:250mW

FEATURES

- Extremely Fast Switching Speed
- Small surface mounting type
- Low reverse current and low forward voltage
- High reliability

MECHANICAL DATA

- Case: SOT-23 Small Outline Plastic Package
- Polarity: Color band denotes cathode end
- Mounting Position: Any



0 08057 11+575 7

E 7 S U U O U

| Parameter | Symbol | Limit | Unit |
|---|-----------------|----------|---------------|
| Peak reverse voltage | V_{RM} | 40 | V |
| DC reverse | V_R | 40 | V |
| Non-repetitive Peak Forward Surge Current @ $t=8.3ms$ | I_{FSM} | 3 | A |
| Mean rectifying current | I_o | 0.5 | A |
| Power dissipation | P_D | 250 | mW |
| Thermal resistance from junction to ambient | $R_{\theta JA}$ | 400 | $^{\circ}C/W$ |
| Junction temperature | T_j | 125 | $^{\circ}C$ |
| Storage temperature | T_{stg} | -55~+150 | $^{\circ}C$ |

O U O S

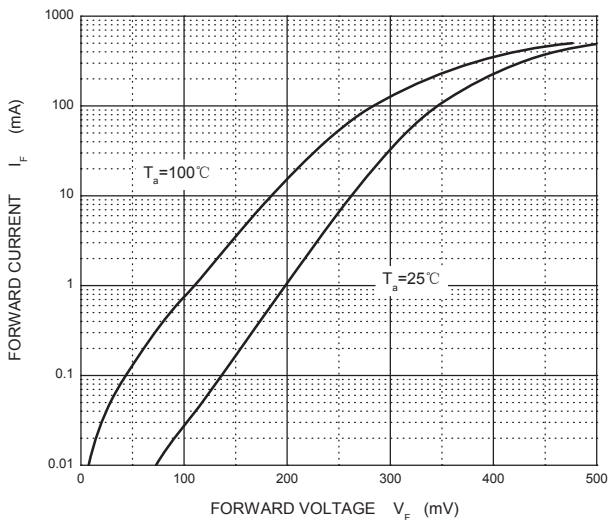
nl e ot er i e pecifie

| Parameter | Symbol | Min | Typ | Max | Unit | Conditions |
|-------------------------------|----------|-----|-----|------|---------|-------------------|
| Reverse breakdown voltage | V_R | 40 | | | V | $I_R=100\mu A$ |
| Forward voltage | V_F | | | 0.55 | V | $I_F=0.5A$ |
| Reverse current | I_{R1} | | | 50 | μA | $V_R=30V$ |
| | I_{R2} | | | 30 | μA | $V_R=10V$ |
| Capacitance between terminals | C_{T1} | | 125 | | pF | $V_R=0V, f=1MHz$ |
| | C_{T2} | | 20 | | pF | $V_R=10V, f=1MHz$ |

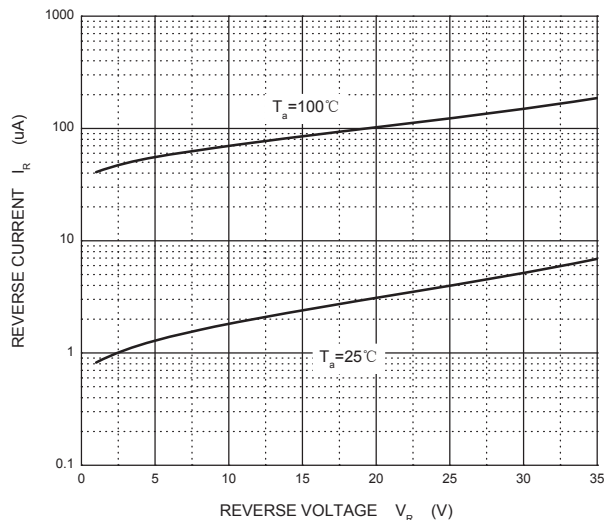
MARKING: D3A

RATINGS AND CHARACTERISTIC CURVES

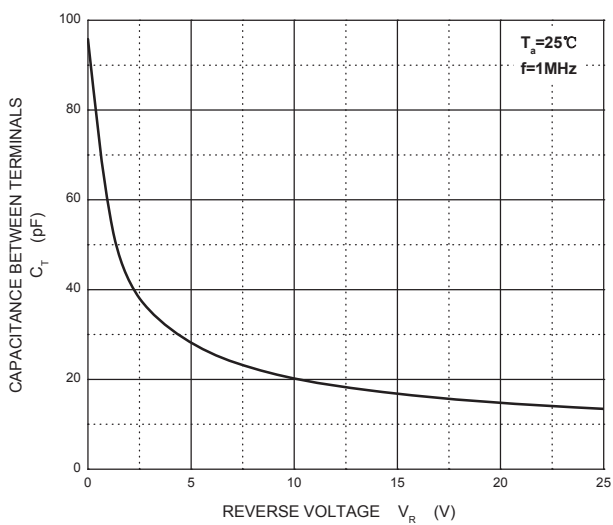
Forward Characteristics



Reverse Characteristics



Capacitance Characteristics



Power Derating Curve

