

SOD-523 SCHOTTKY BARRIER DIODE

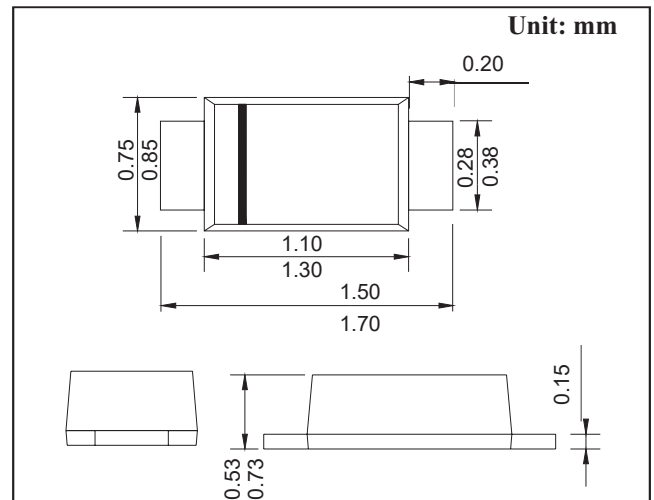
VOLTAGE RANGE: 40V
PEAK PULSE POWER:150mW

FEATURES

- Low Forward Voltage Drop
- Guard Ring Construction for Transient
- Protection Negligible Reverse Recovery Time
- Very Low Reverse Capacitance

MECHANICAL DATA

- Case: SOD-523 Small Outline Plastic Package
- Polarity: Color band denotes cathode end
- Mounting Position: Any



MAXIMUM RATINGS AND CHARACTERISTICS

@ 25°C Ambient Temperature (unless otherwise noted)

Parameter	Symbol	Limit	Unit
DC reverse voltage	VR	40	V
Mean rectifying current	IO	0.2	A
Non-repetitive peak forward surge current@t=8.3ms	IFSM	1	A
Power Dissipation	PD	150	mW
Thermal resistance from junction to ambient	RθJA	667	°C/W
Junction temperature	TJ	125	°C
Storage temperature	TSTG	-55~+150	

Electrical Specification (TA=25°C unless otherwise specified)

Parameter	Symbol	Min	Typ	Max	Unit	Conditions
Forward voltage	VF		0.304	0.39	V	IF=10mA
			0.446	0.55		IF=100mA
Reverse current	IR		0.605	1	μA	VR=10V
			2.837	10		VR=40V

MARKING: D1

RATINGS AND CHARACTERISTIC CURVES

